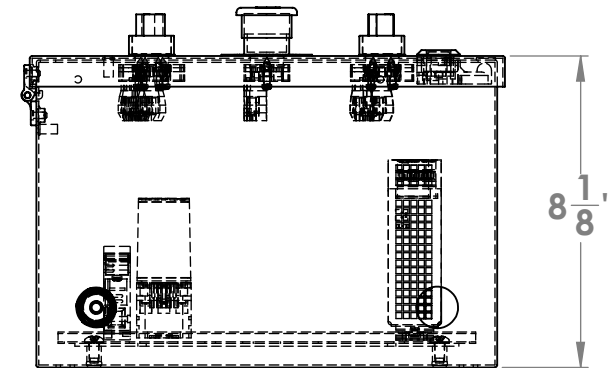
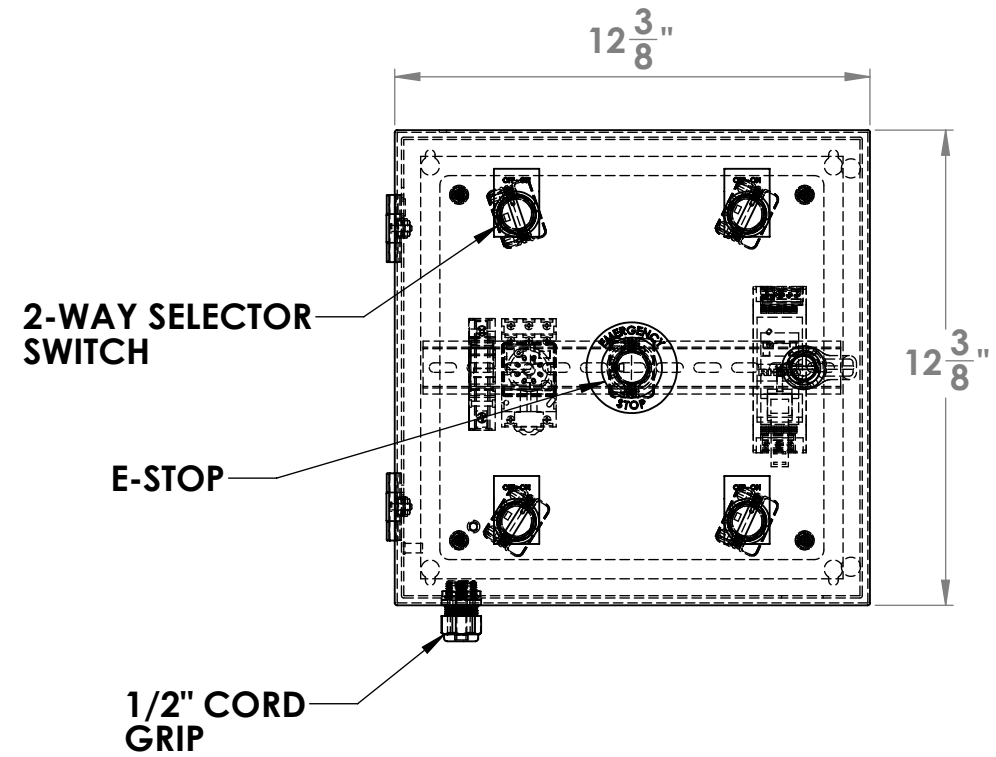
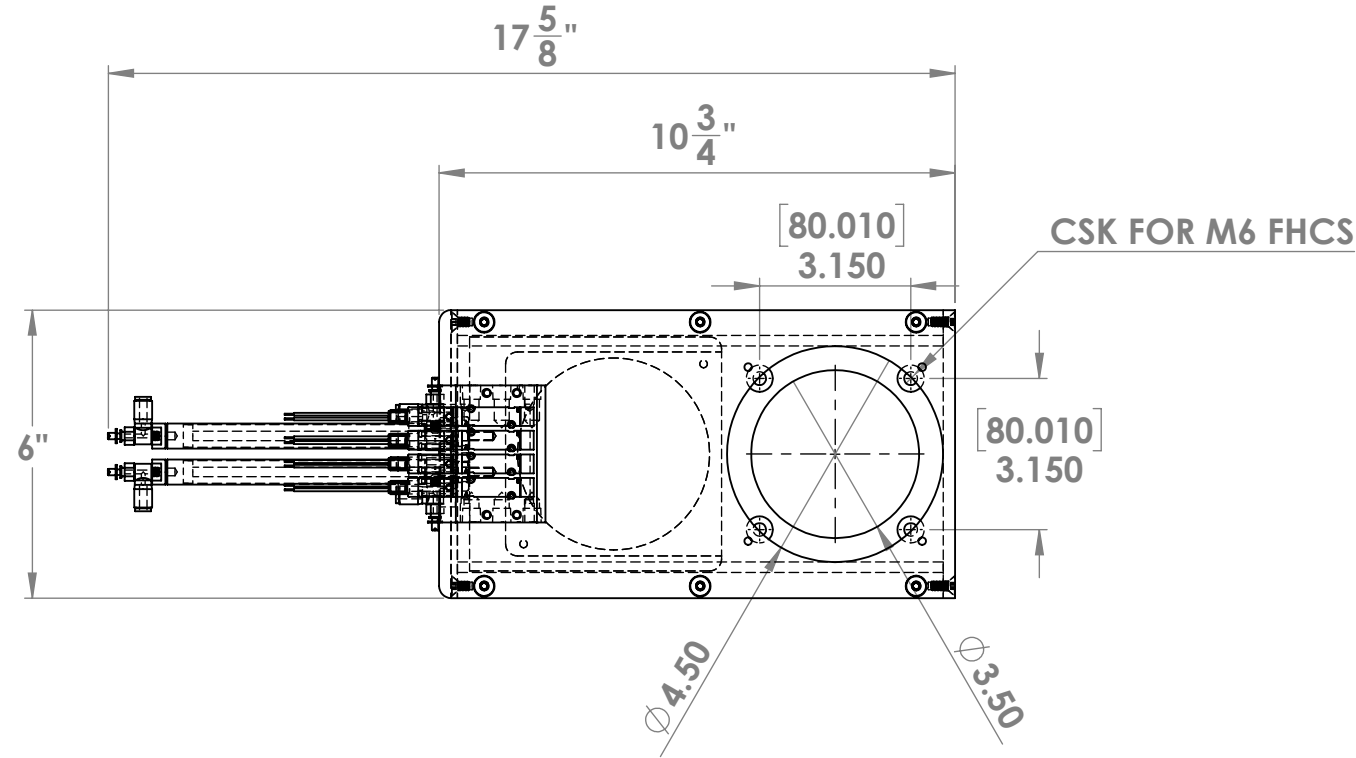
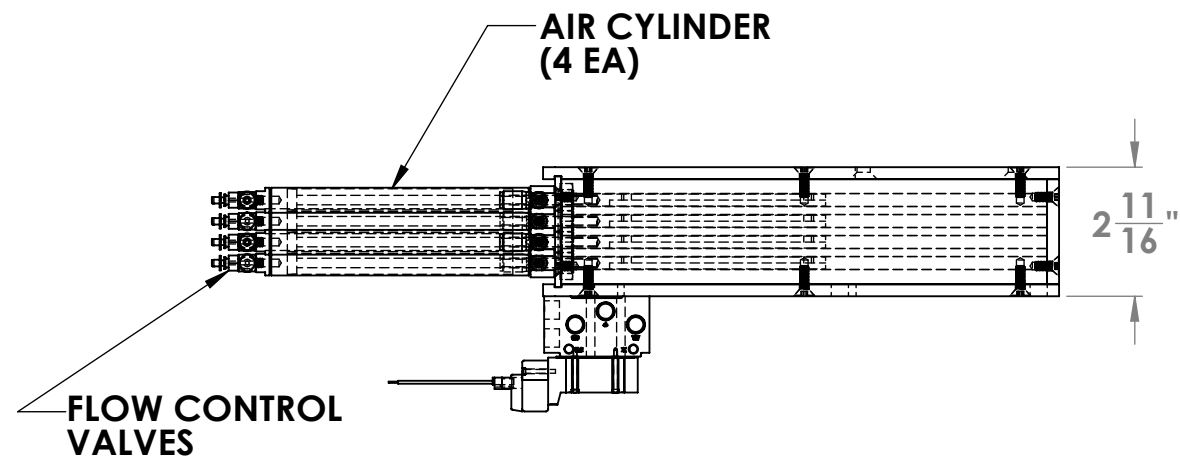


ELECTRONIC VALVE VERSION



JOB #:		CUSTOMER:		UNLESS OTHERWISE SPECIFIED:		NAME	DATE	 MARIETTA NONDESTRUCTIVE TESTING 530 COMMERCE PARK DRIVE MARIETTA, GA 30060 (770) 528-9000
ASSEMBLY		PRODUCTION		DIMENSIONS ARE IN INCHES		DRAWN	07/29/2021	
TECH:	NAM E	DATE	NAM E	DATE	TOLERANCES:	CHECKED		TITLE: 4 TRAY RAPID FILTER CHANGER
INSPECT:					FRACTIONAL: ±1/16	ENG APPR.		
PROD/ASM NOTES:					ANGULAR: ±2 Degrees	CAGE NUMBER:	1QPN7	
					.XX: ±.02 .XXX: ±.005 SEE BACK FOR SIGNOFF SHEET IF APPLICABLE	PROPRIETARY AND CONFIDENTIAL THE INFORMATION CONTAINED IN THIS DRAWING IS THE SOLE PROPERTY OF MARIETTA NONDESTRUCTIVE TESTING. ANY REPRODUCTION IN PART OR AS A WHOLE WITHOUT THE WRITTEN PERMISSION OF MARIETTA NONDESTRUCTIVE TESTING IS PROHIBITED.		
					FINISH			SIZE B DWG. NO. RFC.A00A04 REV
					DO NOT SCALE DRAWING			SCALE: 1:4 WEIGHT: 7.3 lb SHEET 1 OF 1