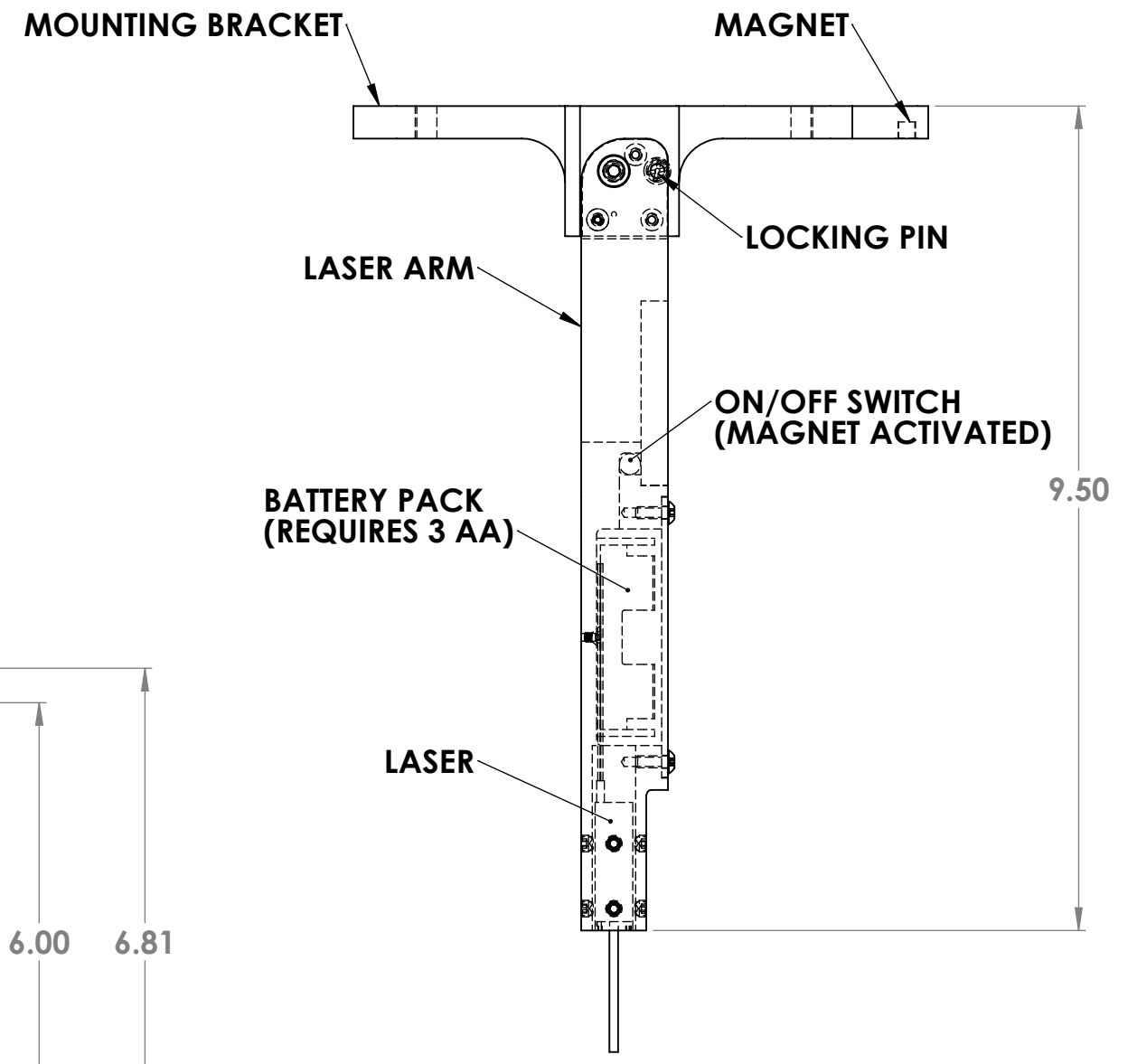


OFF POSITION



ON POSITION

UNLESS OTHERWISE SPECIFIED:		NAME	DATE		MARIETTA NONDESTRUCTIVE TESTING 530 COMMERCE PARK DRIVE MARIETTA, GA 30060 (770) 528-9000	
DIMENSIONS ARE IN INCHES		DRAWN	Louis Cubero			08/02/2021
TOLERANCES:		CHECKED		TITLE:		
FRACTIONAL: ± 1/16		ENG APPR.		450C LASER POINTER		
ANGULAR: ± 2 Degrees		CAGE NUMBER: 1QPN7				
TWO PLACE DECIMAL: ± .02		PROPRIETARY AND CONFIDENTIAL		SIZE	DWG. NO.	REV
THREE PLACE DECIMAL: ± .005		THE INFORMATION CONTAINED IN THIS DRAWING IS THE SOLE PROPERTY OF MARIETTA NONDESTRUCTIVE TESTING. ANY REPRODUCTION IN PART OR AS A WHOLE WITHOUT THE WRITTEN PERMISSION OF MARIETTA NONDESTRUCTIVE TESTING IS PROHIBITED.		B	MNDT.LP.450C.A00	
SEE BACK FOR SIGNOFF SHEET IF APPLICABLE MATERIAL				SCALE: 1:2	WEIGHT: 1b	SHEET 1 OF 1
FINISH		DO NOT SCALE DRAWING				