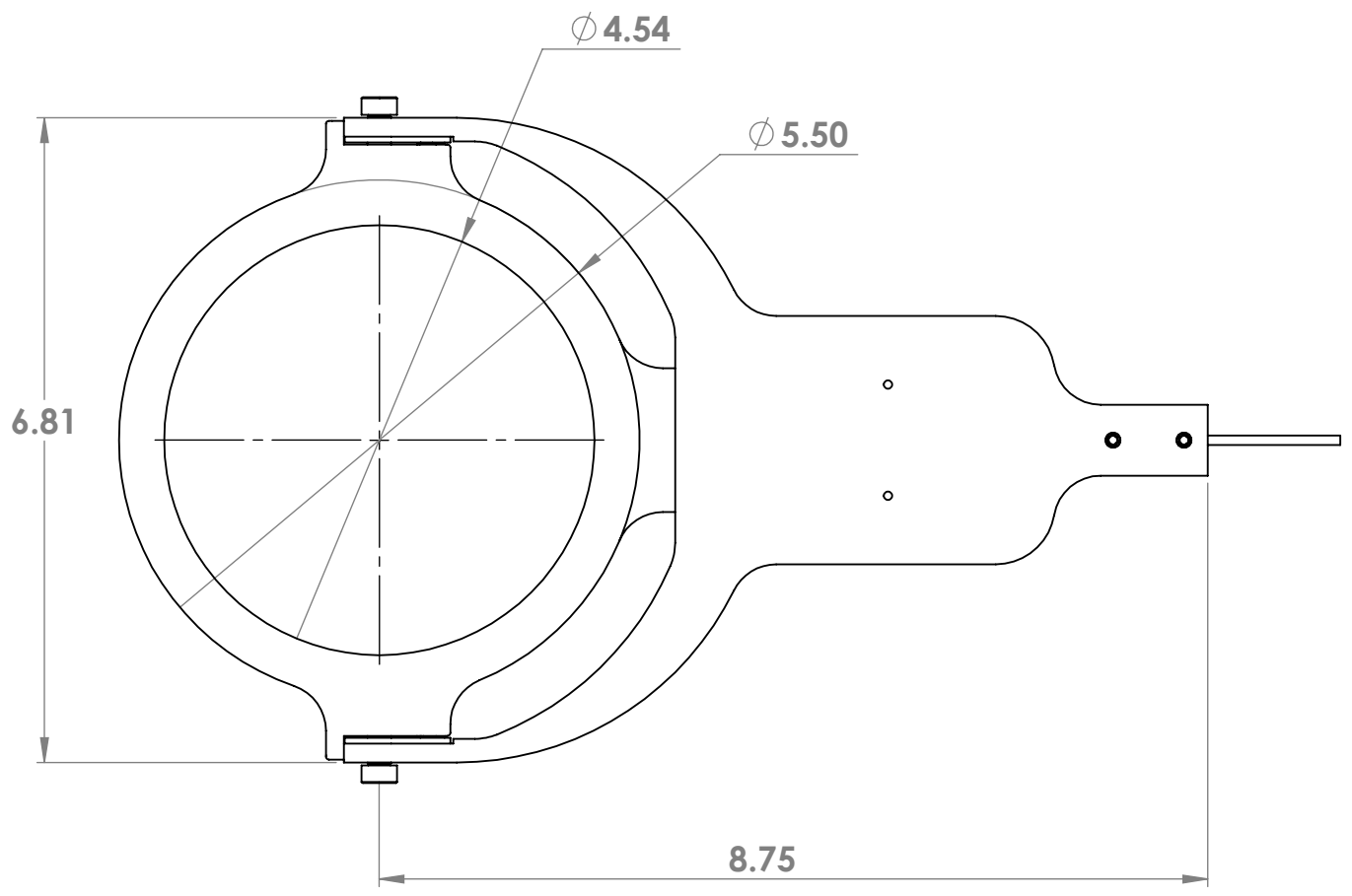
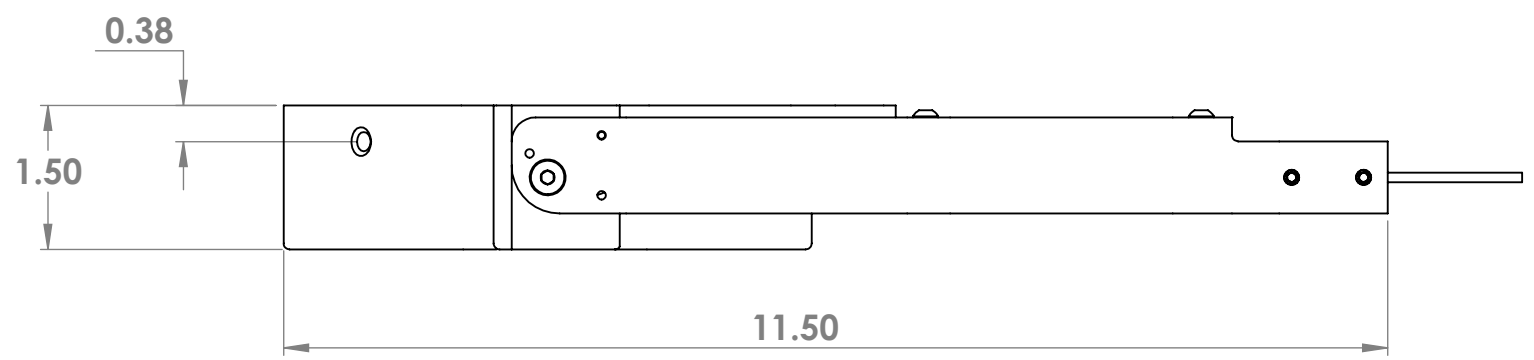
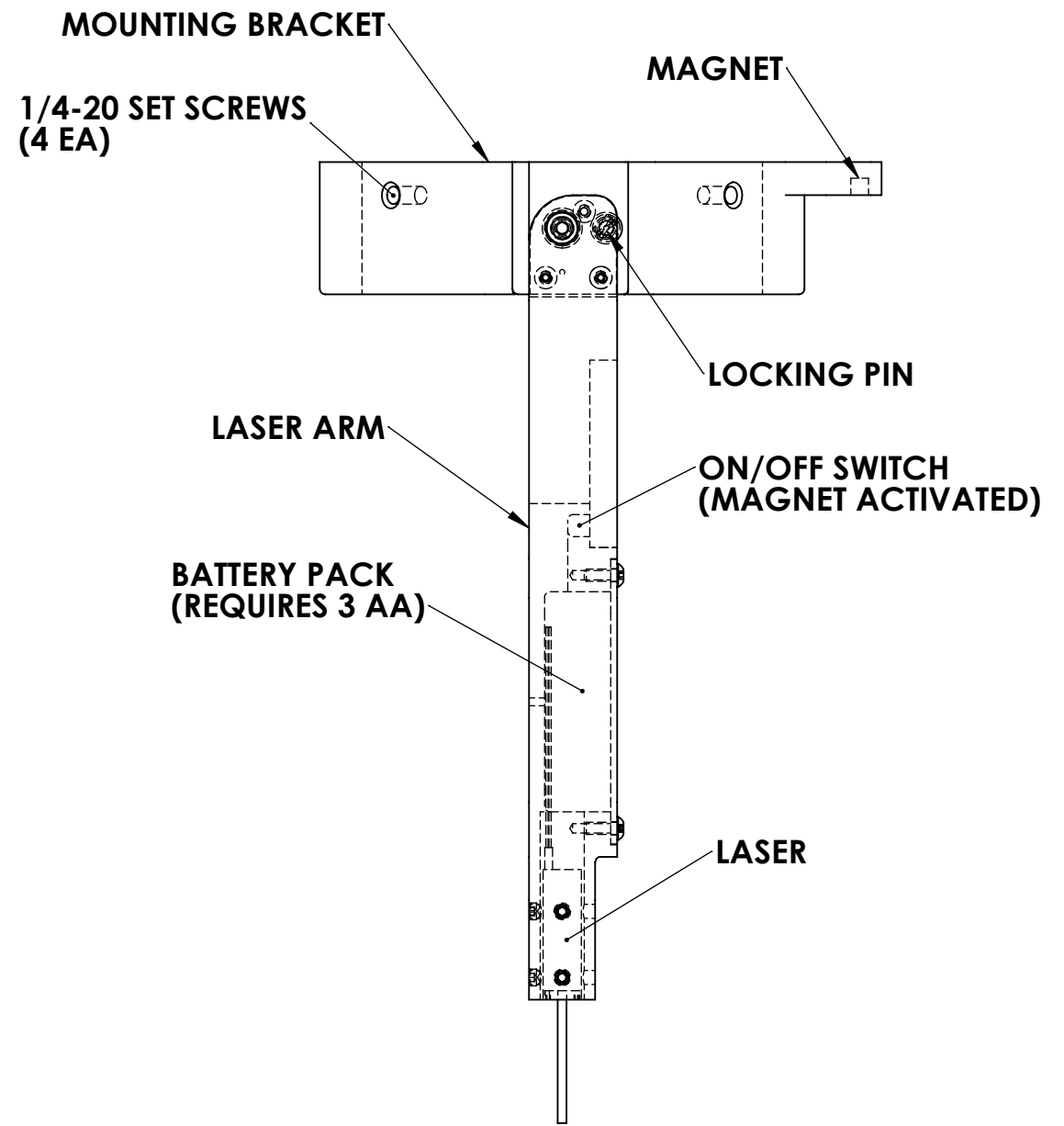


8 7 6 5 4 3 2 1



OFF POSITION



ON POSITION

UNLESS OTHERWISE SPECIFIED:
DIMENSIONS ARE IN INCHES
TOLERANCES:
FRACTIONAL: $\pm 1/16$
ANGULAR: ± 2 Degrees
TWO PLACE DECIMAL: $\pm .02$
THREE PLACE DECIMAL: $\pm .005$
SEE BACK FOR SIGNOFF SHEET IF APPLICABLE MATERIAL
FINISH
DO NOT SCALE DRAWING

NAME	DATE
DRAWN: Louis Cubero	08/02/2021
CHECKED:	
ENG APPR.:	
CAGE NUMBER: 1QPN7	
PROPRIETARY AND CONFIDENTIAL	
THE INFORMATION CONTAINED IN THIS DRAWING IS THE SOLE PROPERTY OF MARIETTA NONDESTRUCTIVE TESTING. ANY REPRODUCTION IN PART OR AS A WHOLE WITHOUT THE WRITTEN PERMISSION OF MARIETTA NONDESTRUCTIVE TESTING IS PROHIBITED.	

MARIETTA NDT
MARIETTA NONDESTRUCTIVE TESTING
530 COMMERCE PARK DRIVE
MARIETTA, GA 30060
(770) 528-9000

TITLE:
320-450GE LASER POINTER

SIZE DWG. NO. REV
B MNDT.LP.320-450A00

SCALE: 1:2 WEIGHT: 1b SHEET 1 OF 1

8 7 6 5 4 3 2 1