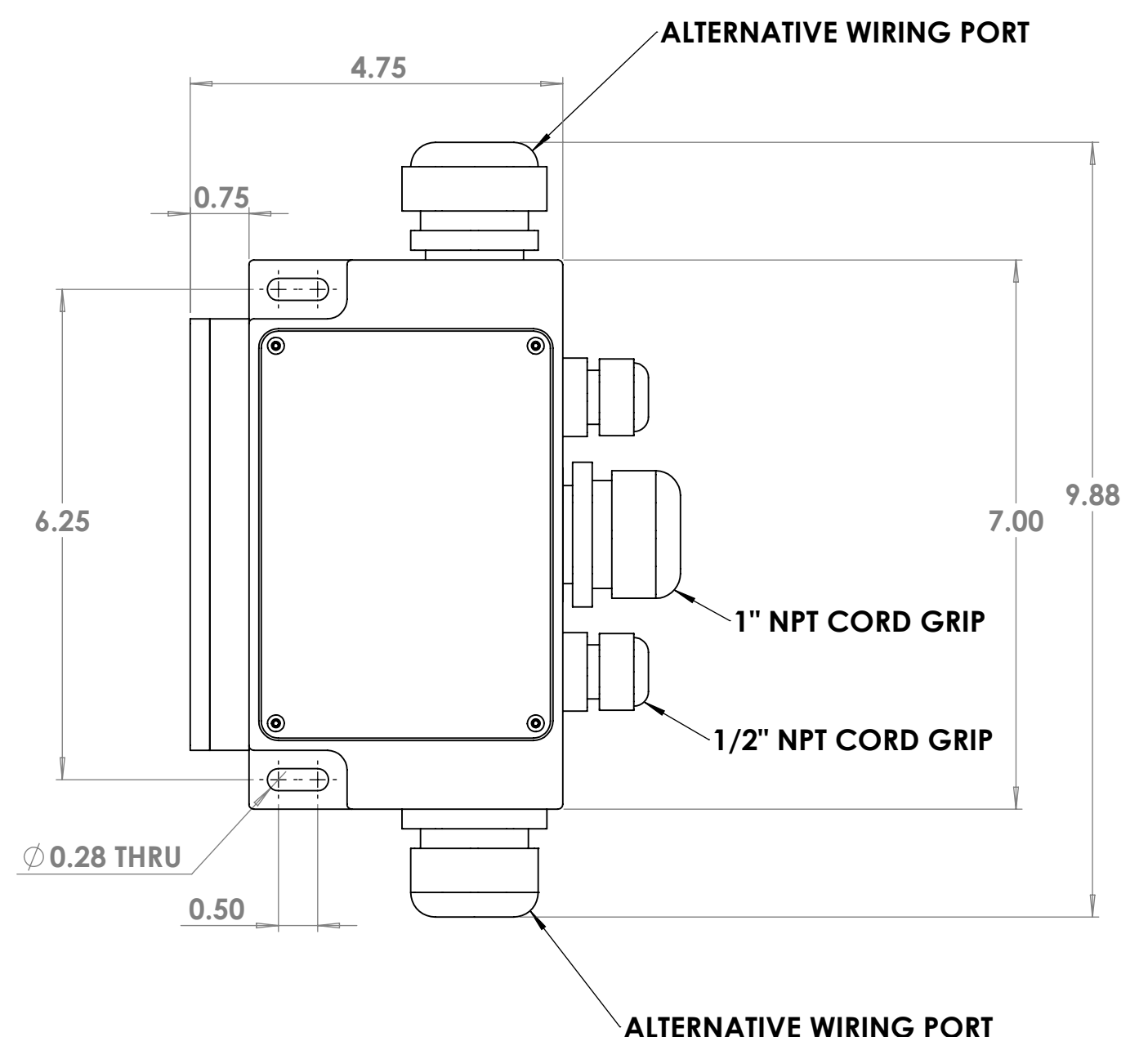
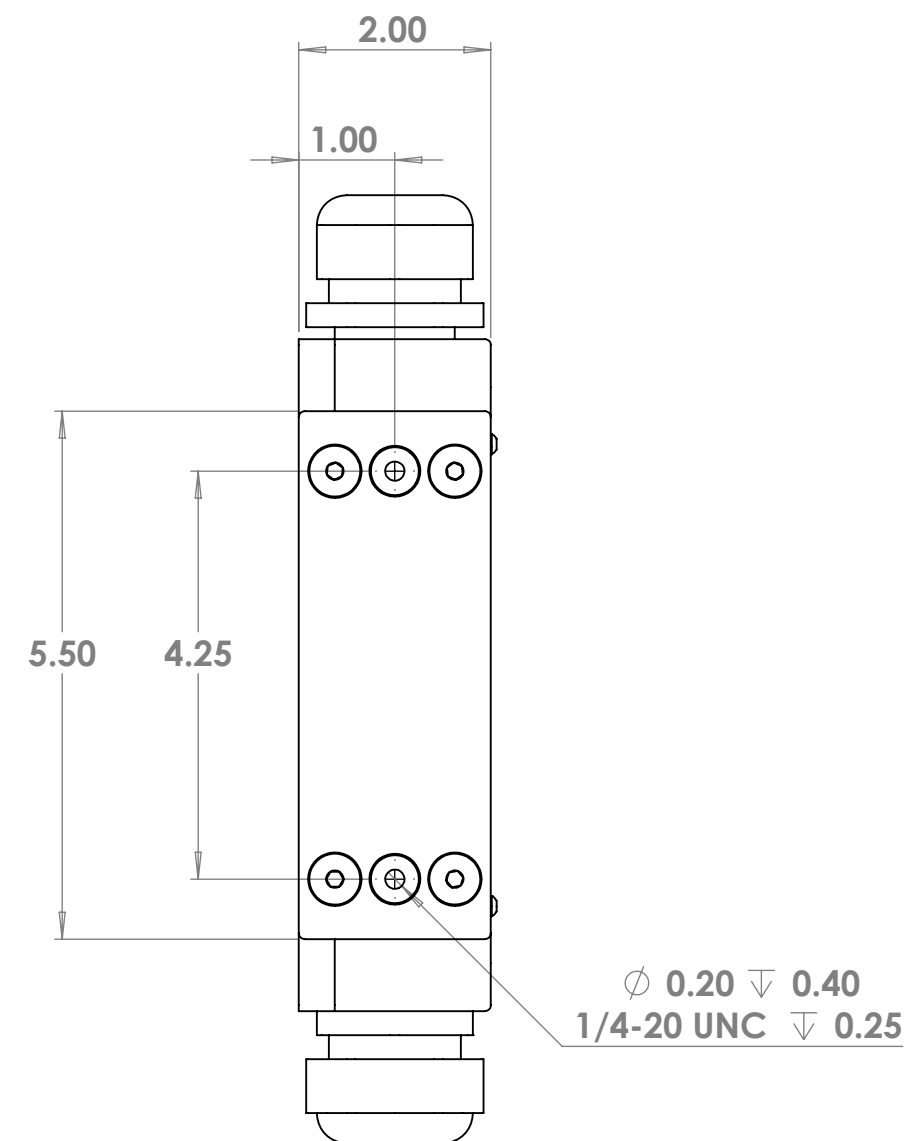


8 7 6 5 4 3 2 1

D
C
B
A



UNLESS OTHERWISE SPECIFIED: DIMENSIONS ARE IN INCHES TOLERANCES: FRACTIONAL: \pm 1/16 ANGULAR: \pm 2 Degrees TWO PLACE DECIMAL: \pm .02 THREE PLACE DECIMAL: \pm .005 DECIMAL: \pm .005 SEE BACK FOR SIGNOFF SHEET IF APPLICABLE MATERIAL FINISH NONE DO NOT SCALE DRAWING	DRAWN L. CUBERO	NAME L. CUBERO	DATE 7/28/21	MARIETTA NONDESTRUCTIVE TESTING 530 COMMERCE PARK DRIVE MARIETTA, GA 30060 (770) 528-9000
	CHECKED ENG APPR.	TITLE: 1.55 CDRH INTERLOCK SWITCH		
	CAGE NUMBER: 1QPN7 PROPRIETARY AND CONFIDENTIAL	SIZE DWG. NO. REV B CDRH155A000000SD		
	THE INFORMATION CONTAINED IN THIS DRAWING IS THE SOLE PROPERTY OF MARIETTA NONDESTRUCTIVE TESTING. ANY REPRODUCTION IN PART OR AS A WHOLE WITHOUT THE WRITTEN PERMISSION OF MARIETTA NONDESTRUCTIVE TESTING IS PROHIBITED.	SCALE: 1:2	WEIGHT: 2.771 lb	

8 7 6 5 4 3 2 1