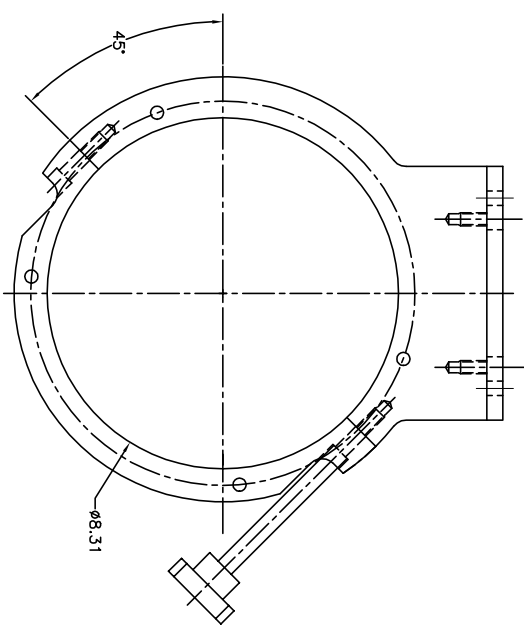
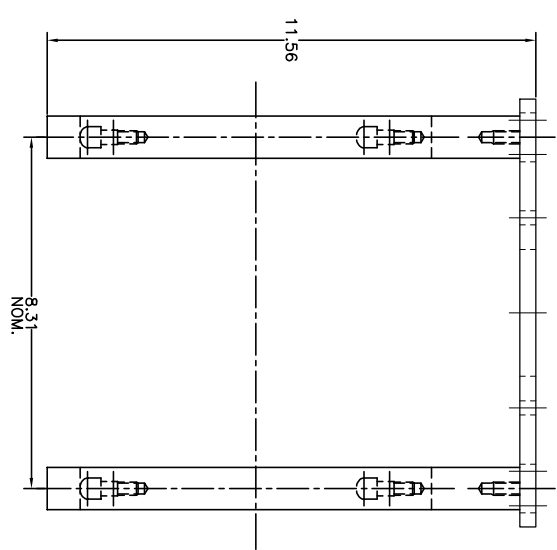
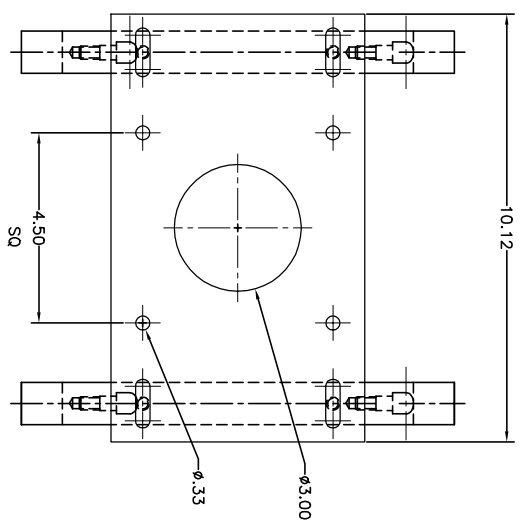


- NOTES: UNLESS OTHERWISE SPECIFIED
1. DIMENSIONING AND TOLERANCING PER ANSI Y14.5M-1982.
 2. CAD GENERATED DRAWING, NO MANUAL ALTERATION.
 3. DO NOT SCALE THIS DRAWING.
 4. MATERIAL: RINGS-ANODIZED ALUMINUM; BASE-PAINTED STEEL.



ONLY VIEW WITH KNOB FOR CLARITY

UNLESS OTHERWISE SPECIFIED DIMENSIONS ARE IN INCHES XX = 0.000 XXX = 0.000 ANALYSIS = 2-Z BREAK ALL SHARP EDGES 0.005 TO 0.015 0.005 TO 0.003 R.		LTR		DESCRIPTION		DATE		APPROVED	
FINISHES: 10% MIL		DRAWN		MANETTA-NOT, Inc.					
THIRD ANGLE PROJECTION		C. PERRY		451 C					
MATCHED SURFACE		DATE		TUBE CRADLE					
APPROVED		DATE		SALES DRAWING					
MATERIAL: RINGS-ANODIZED ALUMINUM; BASE-PAINTED STEEL.		SCALE		SIZE: 1/4" X 1/4" X 1/4"		SHEET		1 OF 1	
DRAWING NO: 451-C-1000-SD		FULL		E		REV.			