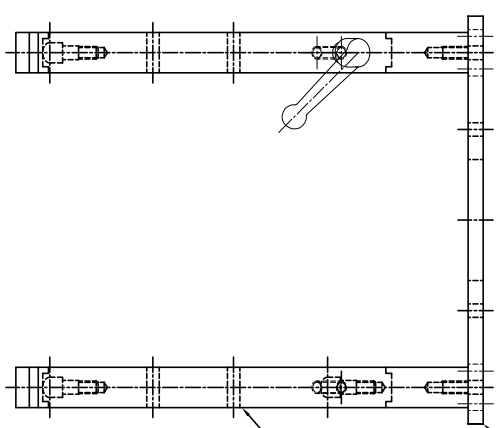
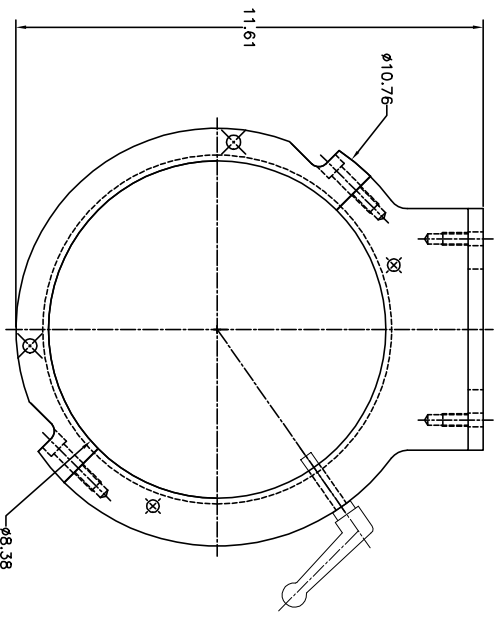
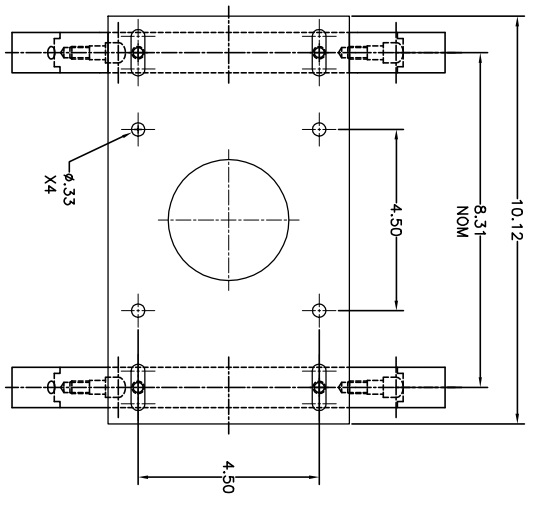


- NOTES: UNLESS OTHERWISE SPECIFIED
1. DIMENSIONING AND TOLERANCING PER ANSI Y14.5M-1982.
 2. CAD GENERATED DRAWING, NO MANUAL ALTERATION.
 3. DO NOT SCALE THIS DRAWING.



STEEL PAINTED BLACK

BLACK FINISHED ALUMINIUM

UNLESS OTHERWISE SPECIFIED DIMENSIONS ARE IN INCHES		LITER		DESCRIPTION		DATE		APPROVED	
1:100 = 2.000	1:200 = 4.000	DRAWN	DATE	REVISIONS					
ANGLES = 2 Z		G. PERRY	09/19/08						
BREAK ALL SHARP EDGES TO A15		CHECKED	DATE						
005 TO A20 R		APPROVED	DATE						
		CAGE NO. 10PN7							
		SIZE	DATE						
		E	MANDTIC 420PS-SD						
		SCALE	FULL						
		SHEET	1 OF 1						

A 8 7 6 5 4 3 2 1

B C D E F G H